



## SINGLE HOLE BASIN MIXER

ROHL Country Bath Arcana

**AC51X-2** (Cross Handles)

### FEATURES

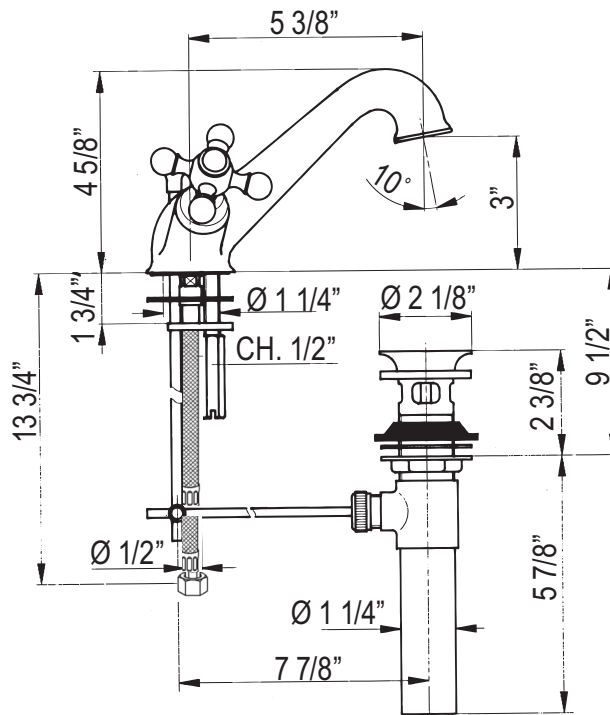
- 1 3/8" hole cutout
- 1/4-turn ceramic disc valves
- Fixed spout
- Pop-up drain, 1 1/4" pipe
- Spout, valve housing, and pop-up made only from solid brass
- Cross handle design only
- 6" wide from temperature indicator to temperature indicator
- 1.5 GPM

### COLORS/FINISHES

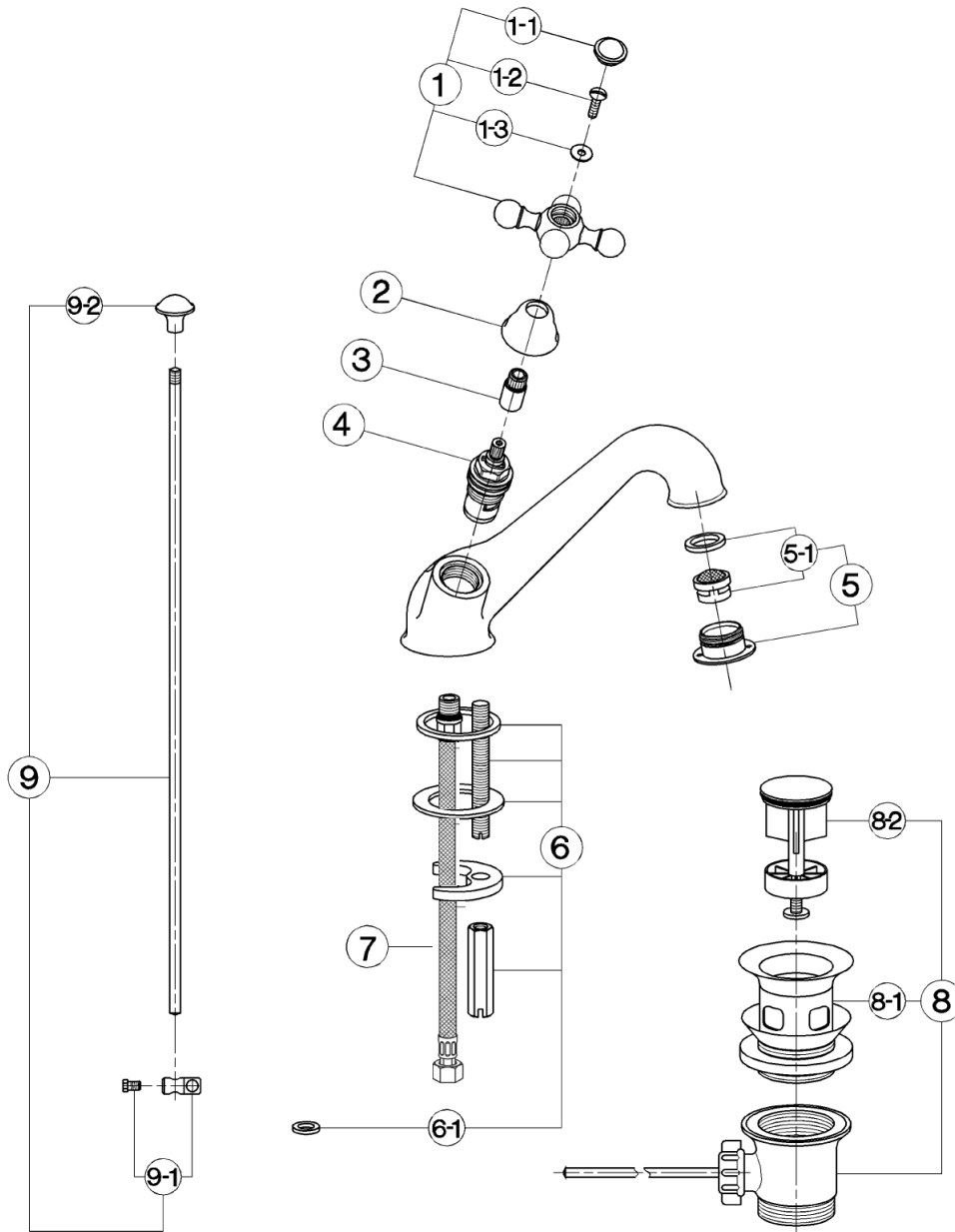
- Polished Chrome
- Polished Nickel
- Satin Nickel
- Tuscan Brass
- Inca Brass

### WARRANTY

- Limited Lifetime\*
- \* No Warranty on Tuscan Brass Finish (TCB)



## AC51 Spare Parts



- 1 – ZZ921120 – Cross handle with screw and cap (COLD)
- 1 – ZZ921110 – Cross handle with screw and cap (HOT)
- 1-1 – ZZ938610 – Cap for handle "C" for cold
- 1-1 – ZZ938620 – Cap for handle "H" for hot
- 1-2 – ZZ926500 – Screw for handle
- 1-3 – ZZ926730 – Brass washer
- 2 – ZZ926520 – Escutcheon
- 3 – ZZ926710 – Extension for head valve

- 4 – ZZ929070 – Cartridge hot counterclockwise
- 5 – ZZ930790 – Aerator complete
- 5-1 – ZZ933930 – Aerator insert only
- 6 – ZZ928510 – Installation set
- 7 – ZZ932480 – 1/2" Flex supply hose
- 8 – ZA007550 – Pop-up complete
- 9 – ZZ927590 – Rod for pop-up